

PERMIT SET - NOT FOR CONSTRUCTION

PRELIMINARY



DISCLAIMER
THIS DRAWING IS INTENDED TO BE PLOTTED IN COLOR ON AN 22" X 34" SHEET. ADJUST SCALES ACCORDINGLY AND VERIFY COLOR LEGEND BELOW IS CORRECT.



NO.	DATE	BY	APPR	REVISIONS



DATE: FEBRUARY 2021 PROJECT NO: 2076017.00

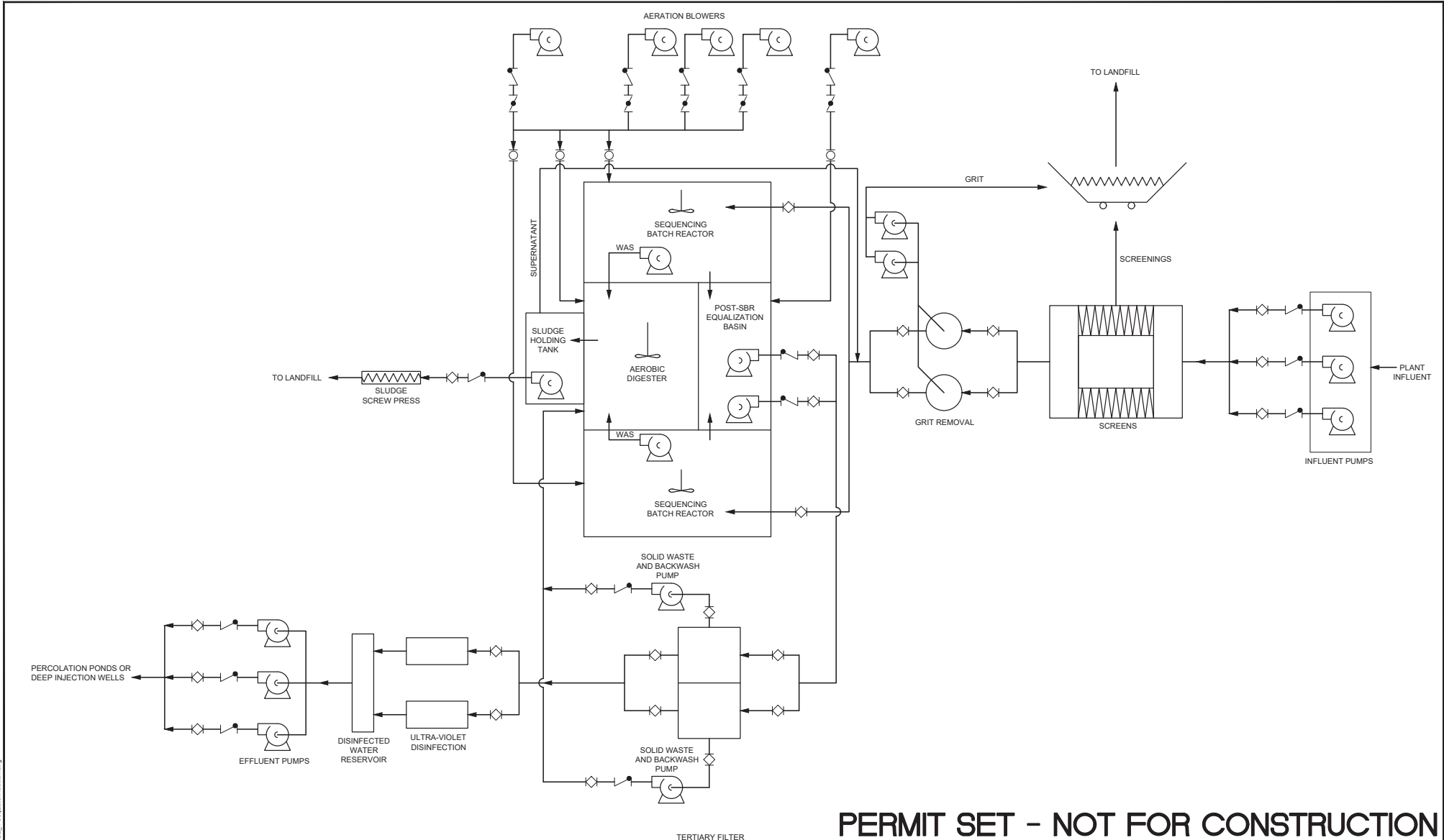
DESIGNED BY:
DRAWN BY: CBD
CHECKED BY:
SCALE: AS NOTED

WASTEWATER TREATMENT PLANT
JOHN DAY

ALTERNATIVE 2
SEQUENCING BATCH REACTOR LAYOUT

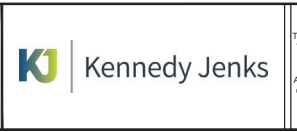
DRAWING NO. B2.0
SHEET NO.

C:\m\k\p\p\w\0170949\076017_B2_0_SeqBatchReactor.dwg



PERMIT SET - NOT FOR CONSTRUCTION

PRELIMINARY



DISCLAIMER
 THIS DRAWING IS INTENDED TO BE PLOTTED IN COLOR ON AN 22" X 34" SHEET. ADJUST SCALES ACCORDINGLY AND VERIFY COLOR LEGEND BELOW IS CORRECT.

NO.	DATE	BY	APPR	REVISIONS

600 NW YORK DR, #100
 BEND, OR 97703
 541.397.6781

DATE: FEBRUARY 2021 PROJECT NO: 2076017.00

DESIGNED BY:	
DRAWN BY:	CBD
CHECKED BY:	
SCALE:	AS NOTED

WASTEWATER TREATMENT PLANT
JOHN DAY
ALTERNATIVE 2 - SEQUENCING BATCH REACTOR
PROCESS FLOW DIAGRAM

DRAWING NO.	B2.1
SHEET NO.	

c:\mike\joe-pw\01770749\2076017 B2_1 SeqBatchReactor.dwg