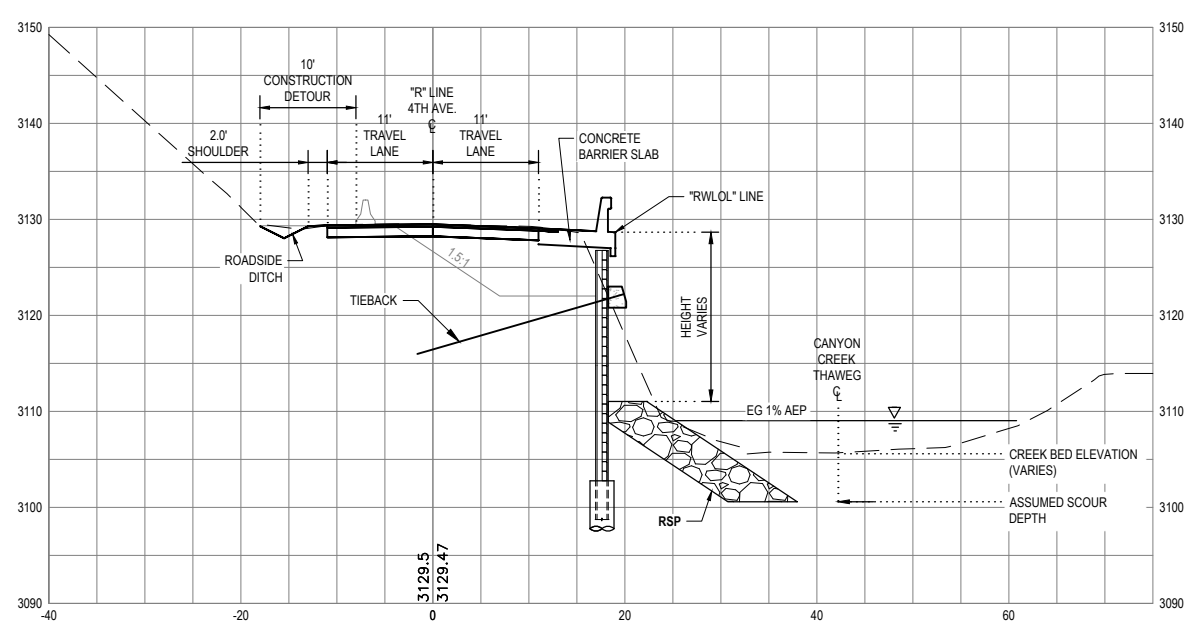
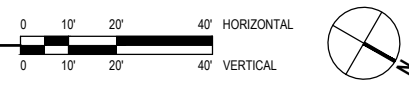
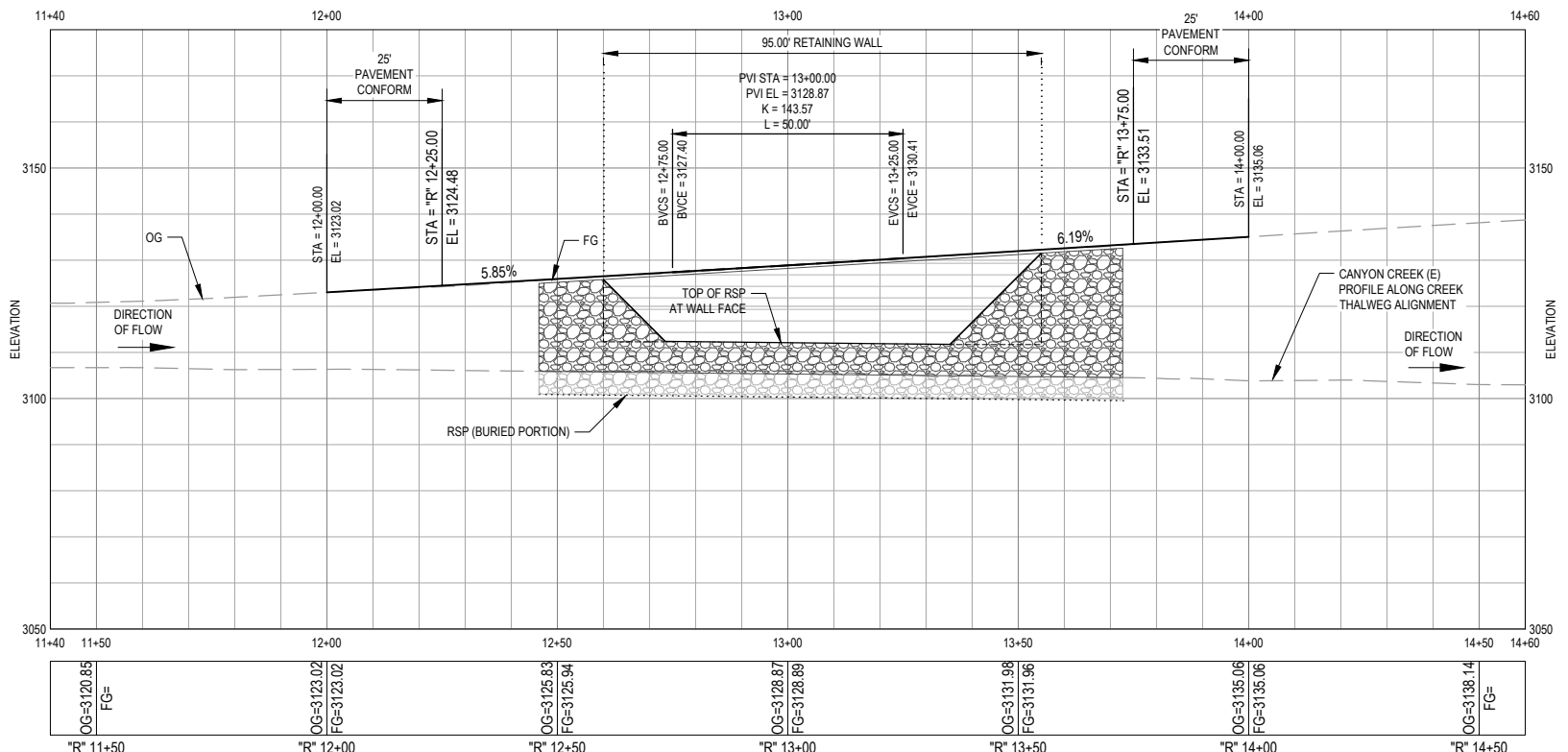
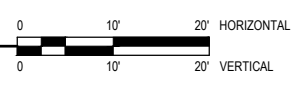


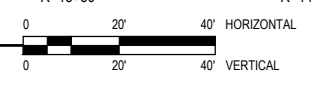
SW 4TH STREET PLAN VIEW



SECTION - STA "R" 13+10



SW 4TH AVE. PROFILE VIEW



PRELIMINARY

No.	Issue	Drawn	Approved	Date

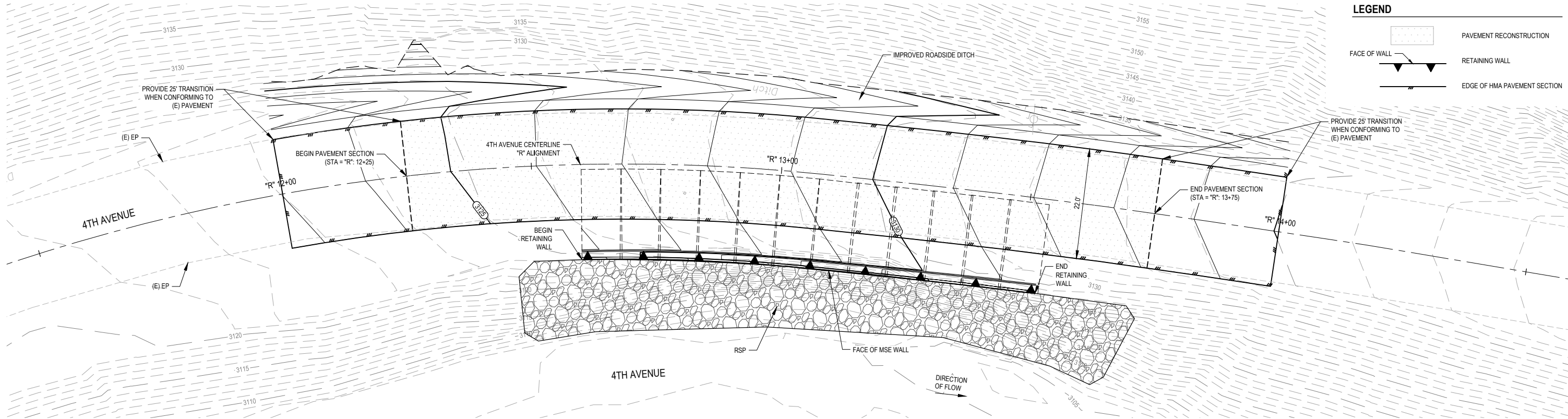
Bar is one inch on original size sheet
0 1"

Reuse of Documents
This document and the ideas and designs incorporated herein, as an instrument of professional service, is the property of GHD and shall not be reused in whole or in part for any other project without GHD's written authorization.
© 2020 GHD

GHD
GHD Inc.
4080 Plaza Goldorado Circle Suite B
Cameron Park California 95682 USA
T 1 530 677 5515 W www.ghd.com

Drawn	C. HAYES	Designer	C. HAYES
Drafting Check	P. TORTORA	Design Check	P. TORTORA
Project Manager		Date	11/5/2020
This document shall not be used for construction unless signed and sealed for construction.		Scale	AS SHOWN

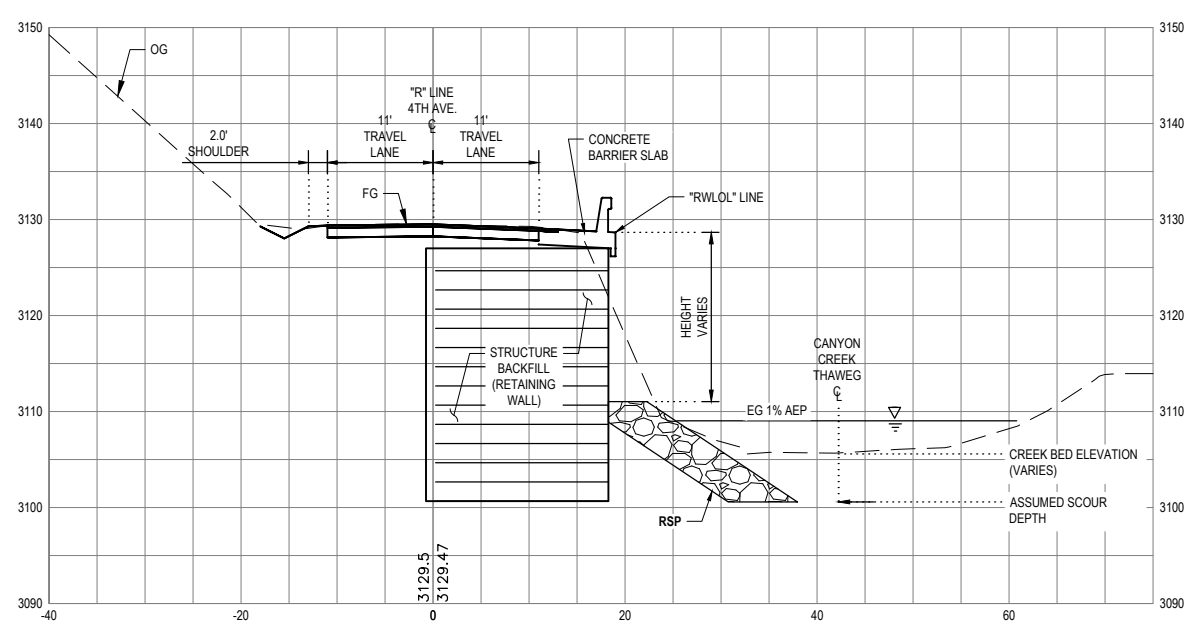
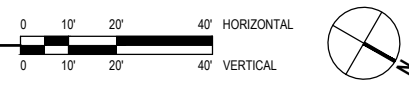
Client	
Project	
Title	SW 4TH AVE. REPAIR PROJECT ALTERNATIVE 1: SOLDIER PILE WALL
Project No.	
Original Size	ANSI D
Sheet No.	



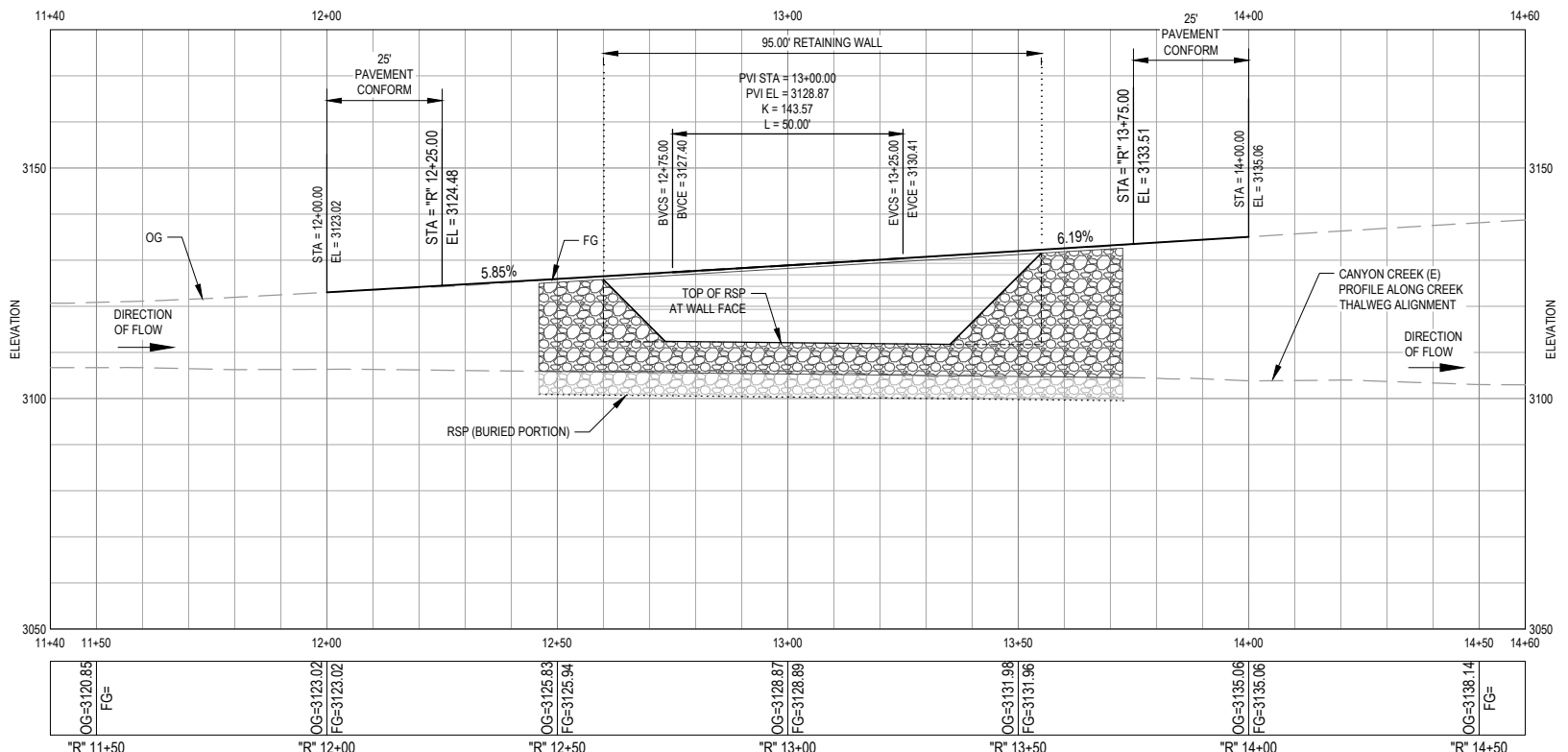
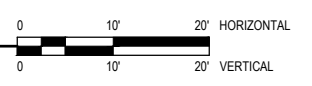
LEGEND

	PAVEMENT RECONSTRUCTION
	RETAINING WALL
	EDGE OF HMA PAVEMENT SECTION

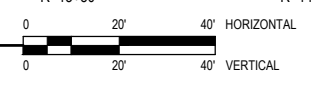
SW 4TH STREET PLAN VIEW



SECTION - STA "R" 13+10



SW 4TH AVE. PROFILE VIEW



PRELIMINARY

No.	Issue	Drawn	Approved	Date

Bar is one inch on original size sheet
0 1"

Reuse of Documents
This document and the ideas and designs incorporated herein, as an instrument of professional service, is the property of GHD and shall not be reused in whole or in part for any other project without GHD's written authorization.
© 2020 GHD



GHD Inc.
4080 Plaza Goldorado Circle Suite B
Cameron Park California 95682 USA
T 1 530 677 5515 W www.ghd.com

Drawn	C. HAYES	Designer	C. HAYES
Drafting Check	P. TORTORA	Design Check	P. TORTORA
Project Manager		Date	11/5/2020
This document shall not be used for construction unless signed and sealed for construction.		Scale	AS SHOWN

Client	Project	Title	Project No.	Original Size	Sheet No.
Title		SW 4TH AVE. REPAIR PROJECT ALTERNATIVE 2: MSE WALL		ANSI D	
Project No.					
Original Size					
Sheet No.					