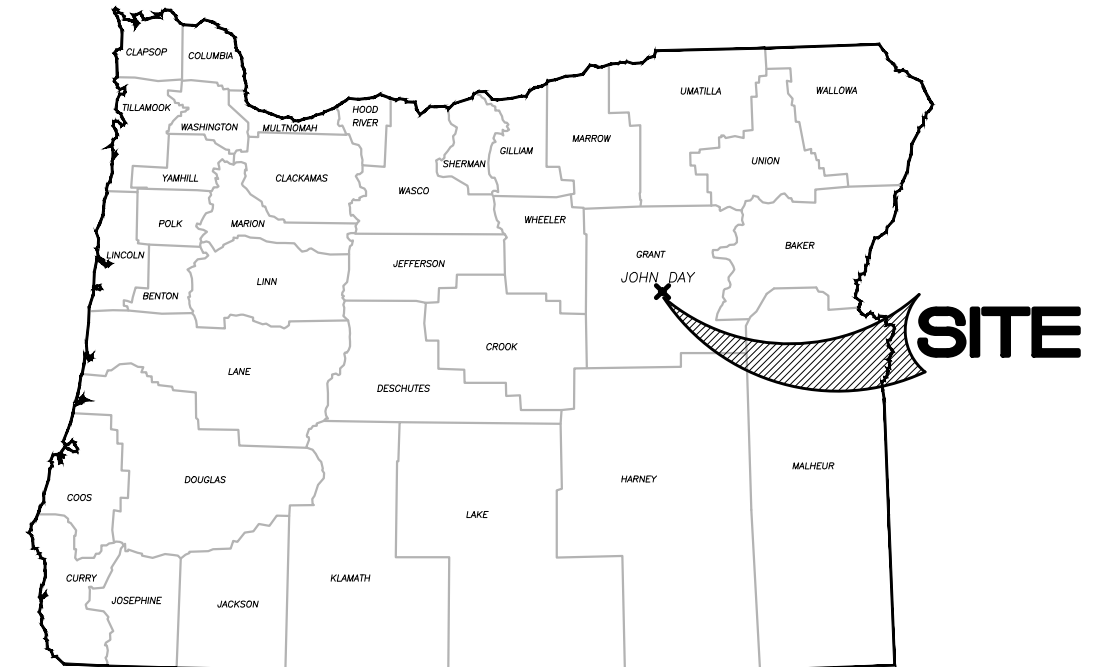


7TH STREET PARKING PROJECT

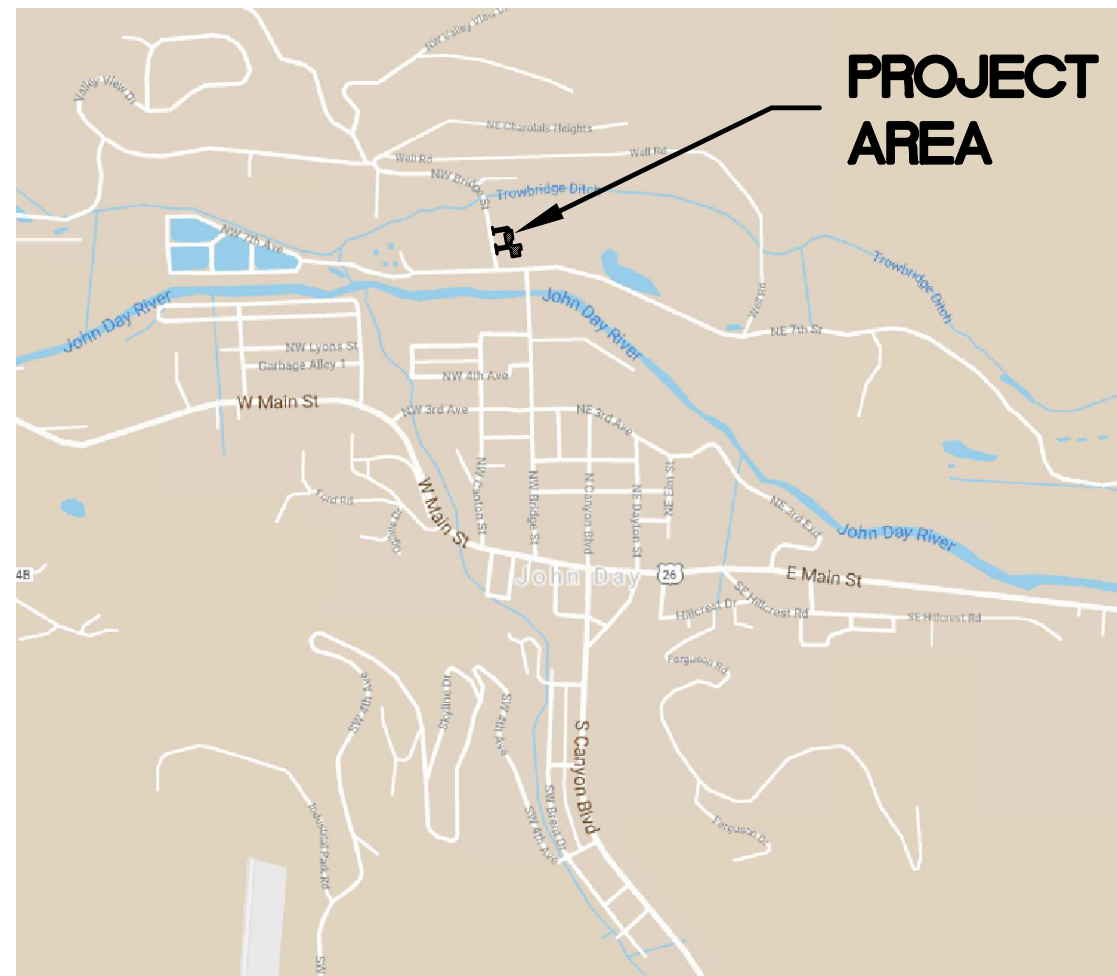
OWNER:

CITY OF JOHN DAY

450 E MAIN ST.
 JOHN DAY, OR 97845
 CONTACT: AARON LIEUALLEN
 PH: 541-575-0028



OREGON VICINITY MAP



SITE MAP
 FROM GOOGLE MAPS
 NTS

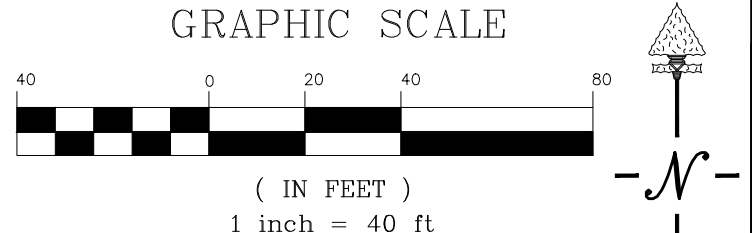
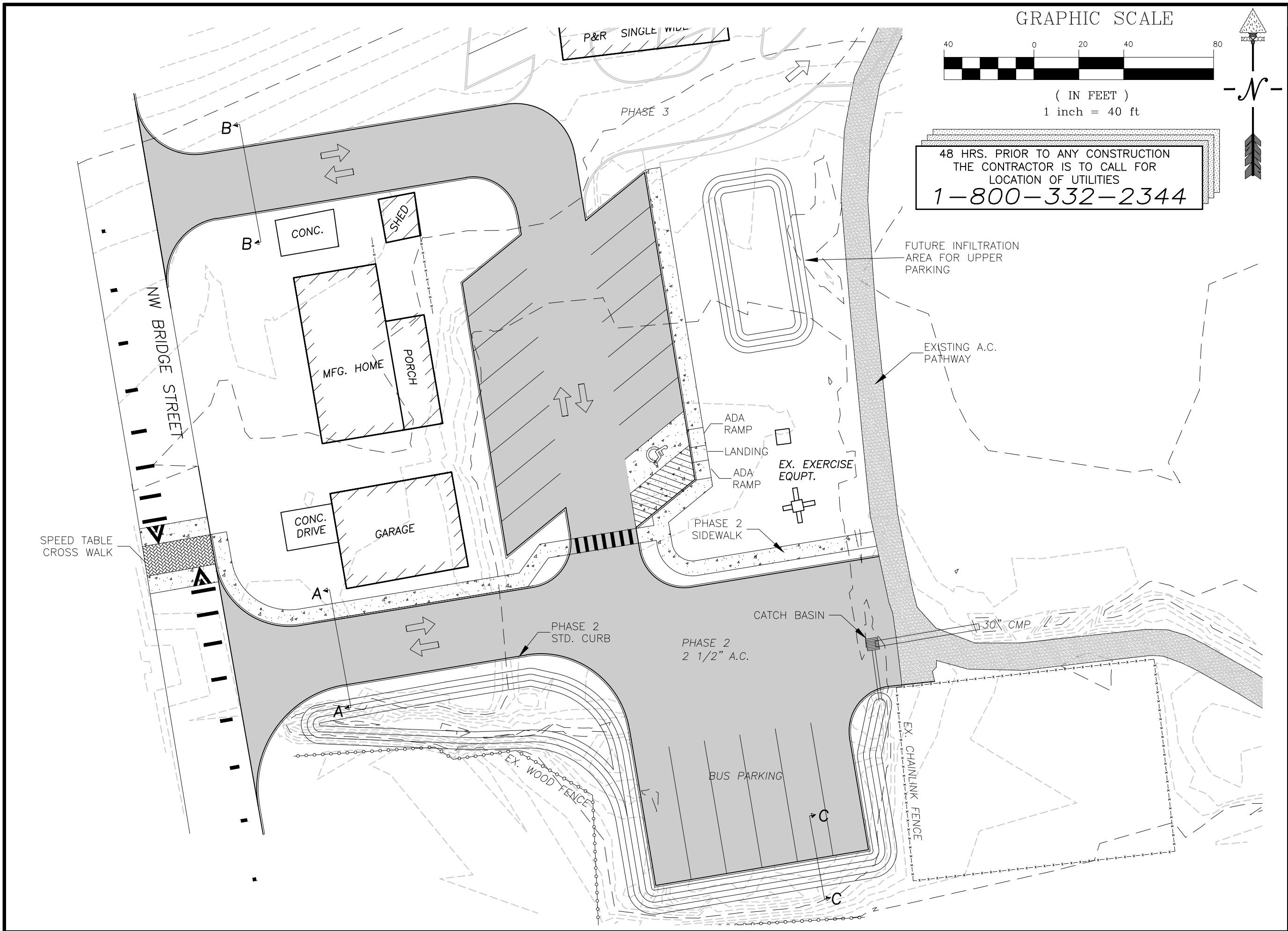
JULY 2020

INDEX

SHEET	DESCRIPTION
01	COVER
02	PHASE 2 PARKING LOT BUILD-OUT
03	PHASE 1 - GRADING, PIPING, AND BASE ROCK
04	DETAILS
04	DETAILS

MOST RECENT REVISION TO
 THIS SET OF PLANS:

SISUL ENGINEERING
 158 E. MAIN STREET
 JOHN DAY, OR. 97845
 (541) 575-3777



48 HRS. PRIOR TO ANY CONSTRUCTION
THE CONTRACTOR IS TO CALL FOR
LOCATION OF UTILITIES
1-800-332-2344

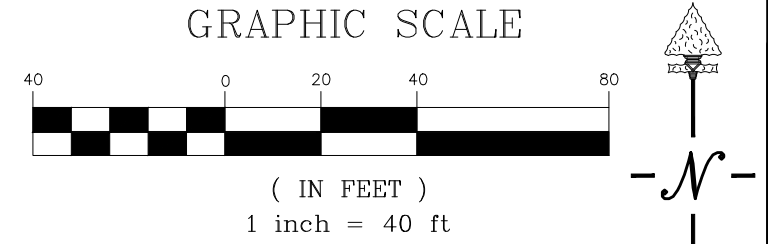
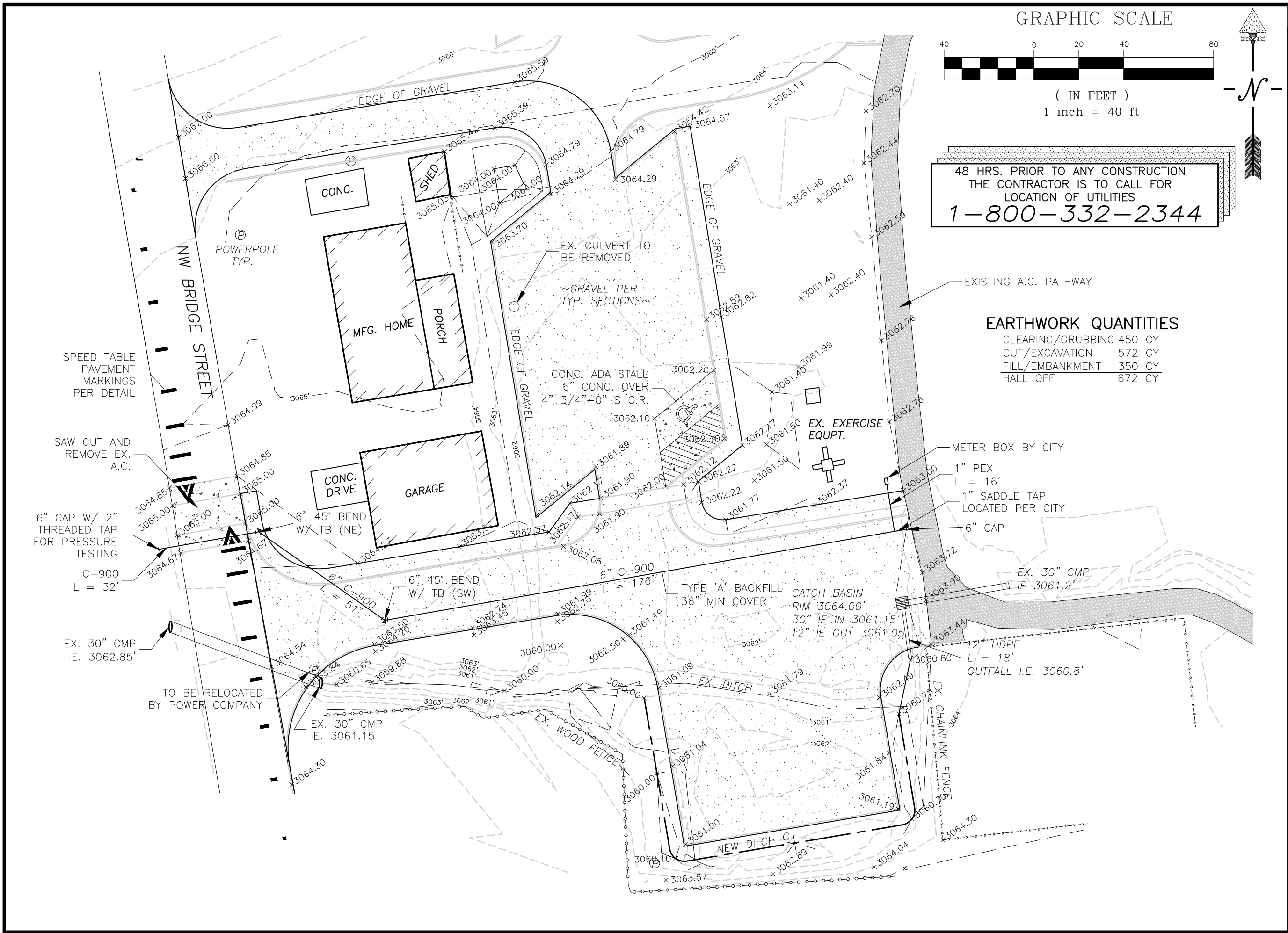
REVISIONS	BY

**7TH STREET
PARKING LOT
PROJECT**
CITY OF JOHN DAY

**PHASE 2
PARKING LOT
BUILD OUT**

SISUL ENGINEERING
158 E. MAIN STREET
JOHN DAY, OREGON
(541) 575-3777

DATE	JULY 2020
SCALE	NOTED
DRAWN	GJB
JOB	20-035
SHEET	01
OF	04 SHEETS



48 HRS. PRIOR TO ANY CONSTRUCTION
THE CONTRACTOR IS TO CALL FOR
LOCATION OF UTILITIES
1-800-332-2344

EARTHWORK QUANTITIES

CLEARING/GRUBBING	450 CY
CUT/EXCAVATION	572 CY
FILL/EMBANKMENT	350 CY
HALL OFF	672 CY

REVISIONS	BY

**7TH STREET
PARKING LOT
PROJECT**
CITY OF JOHN DAY

**PHASE 1
GRADING, PIPING,
AND BASE ROCK**

SISUL ENGINEERING
158 E. MAIN STREET
JOHN DAY, OREGON
(541) 575-3777

DATE	JULY 2020
SCALE	NOTED
DRAWN	GJB
JOB	20-035
SHEET	02
OF	04 SHEETS

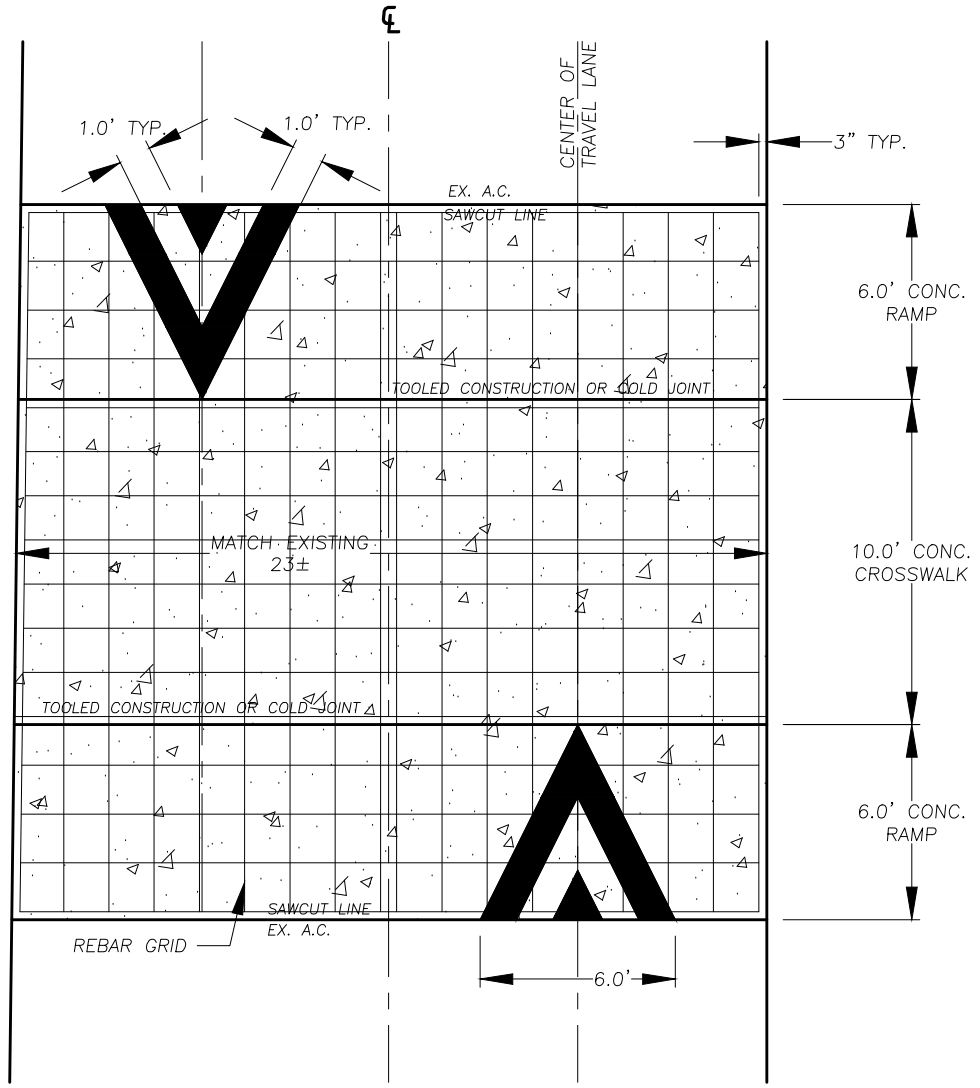
REVISIONS	BY

**7TH STREET
PARKING LOT
PROJECT**
CITY OF JOHN DAY

DETAILS

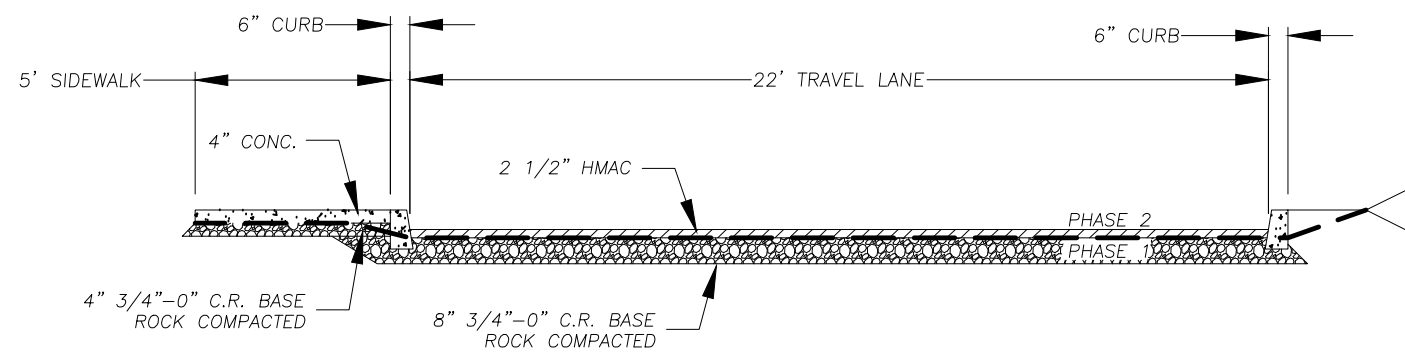
SISUL ENGINEERING
158 E. MAIN STREET
JOHN DAY, OREGON
(541) 575-3777

DATE	JULY 2020
SCALE	NOTED
DRAWN	GJB
JOB	20-035
SHEET	03
OF	04 SHEETS

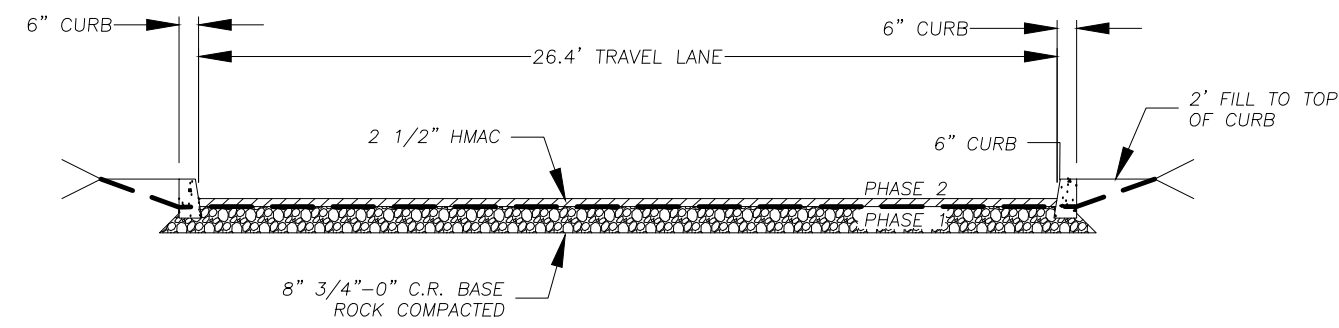


SPEED TABLE DETAIL
NTS

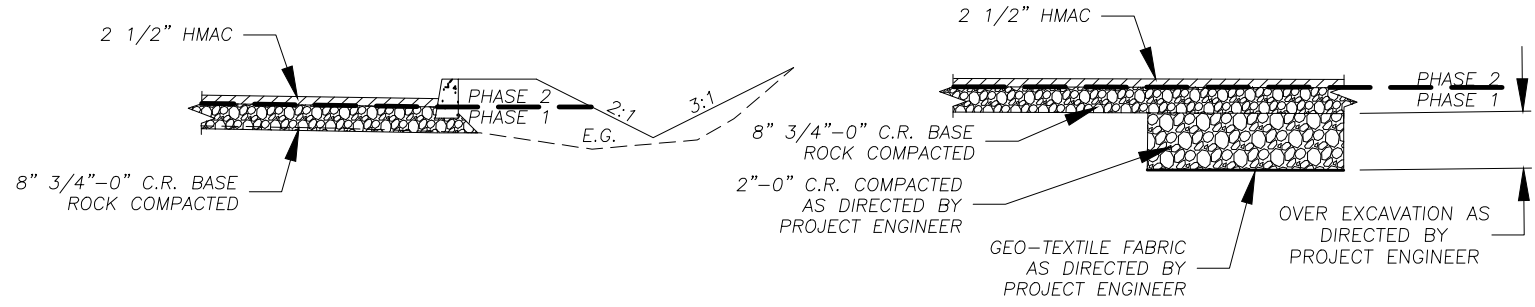
- NOTES
- 6" 3000 PSI CONC. OVER APPROVED BY PROJECT ENGINEER BASE
 - #4 REBAR 18" ON CENTER GRID (MIN.)
 - 1 LB. FIBER REINFORCEMENT PER YARD OF CONC. TO BE ADDED (TO BE APPROVED BY PROJECT ENGINEER)
 - SEE SHEET 02 FOR ELEVATIONS AND GRADES
 - BROOM FINISH



TYP. SECTION A-A
NTS

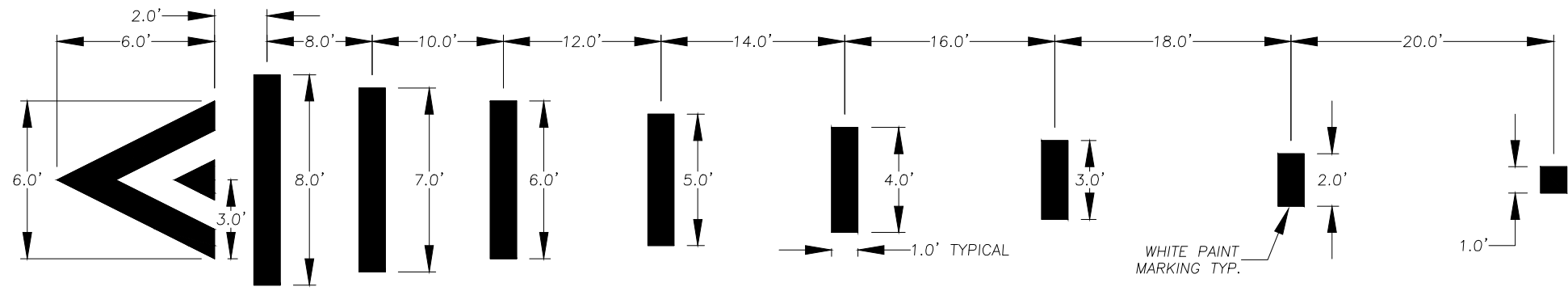


TYP. SECTION B-B
NTS



TYP. SECTION C-C
NTS

TYP. PARKING LOT SECTION
NTS



WARNING MARKINGS FOR SPEED TABLE DETAIL
NTS