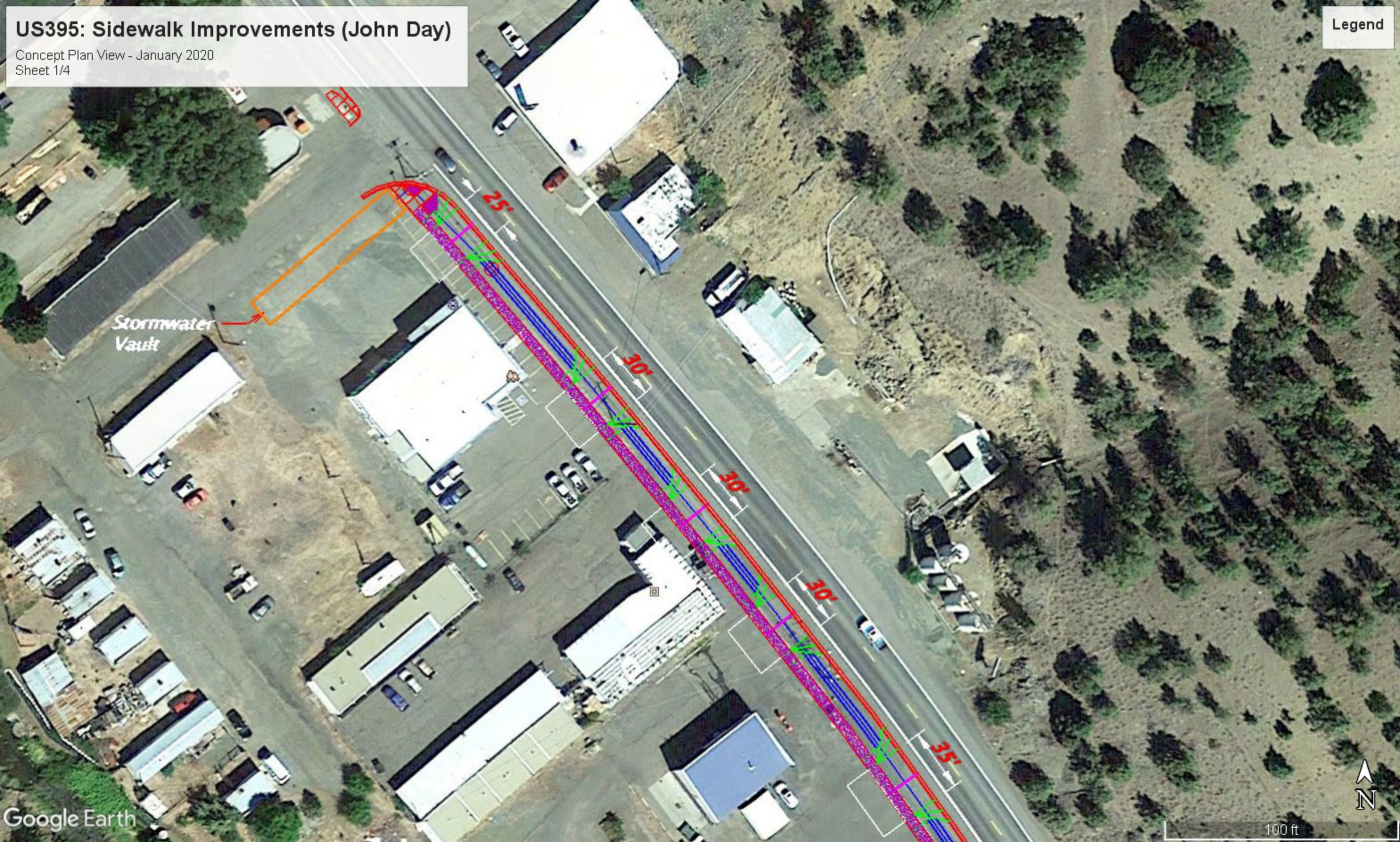


US395: Sidewalk Improvements (John Day)

Concept Plan View - January 2020
Sheet 1/4

Legend



Stormwater Vault

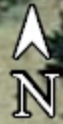
25'

30'

30'

30'

35'



US395: Sidewalk Improvements (John Day)

Concept Plan View - January 2020
Sheet 2/4

Legend



US395: Sidewalk Improvements (John Day)

Concept Plan View - January 2020
Sheet 3/4

Legend



Retaining Wall
Size and Location TBD

Retaining Wall
Size and Location TBD

20'

28'

30'

20'



US395: Sidewalk Improvements (John Day)

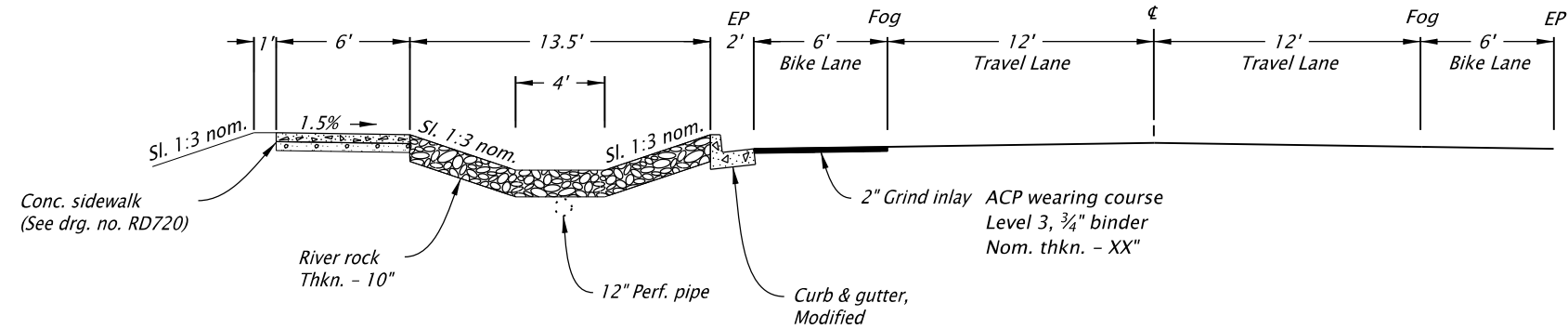
Concept Plan View - January 2020
Sheet 4/4

Legend

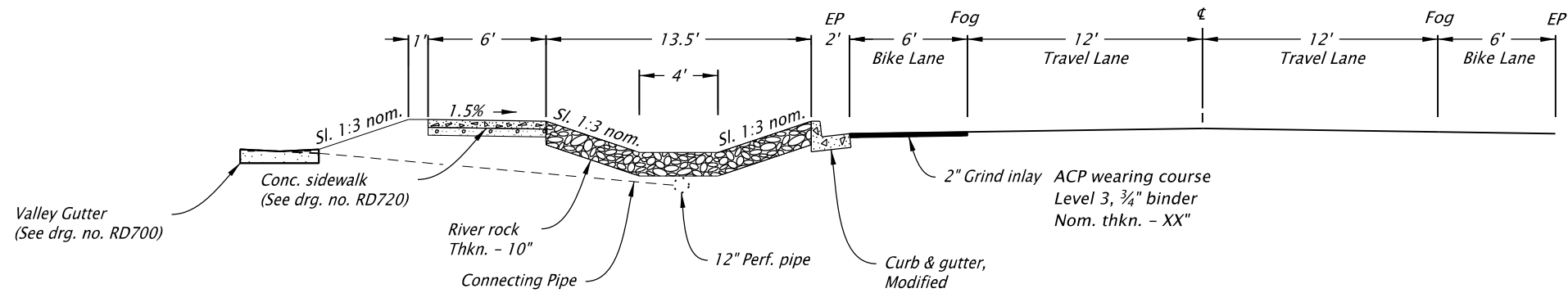
*Retaining Wall
Size and Location TBD*

0'
20'
30'





CURB & GUTTER SWALE
No Scale



CURB & GUTTER SWALE: PRIVATE PROPERTY DRAINAGE
No Scale



OREGON DEPARTMENT OF TRANSPORTATION	
US395: SIDEWALKS IMPROVEMENTS (JOHN DAY) PROJECT	
JOHN DAY - BURNS HIGHWAY GRANT COUNTY	
Designer: KELLI N. MARTIN	Reviewer: MATTEW SEGRIN
Drafter: DENNIS R. CLINE	Checker: LINDSEY M. McCULLOUGH
TYPICAL SECTIONS	SHEET NO. BA01